

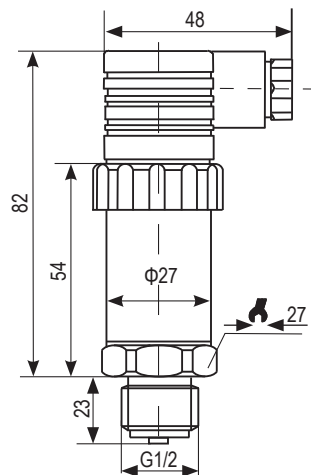


Pressure Transmitter 压力变送器

- Measuring ranges from -0,1 ... 0 bar to -1 ... 0 ... +5 bar
- Output signal: 4 ... 20 mA or 0 ... 10 V
- For dynamic or static measurements
- E-connection: L-Plug, M12×1 or cable outlet
- Optimum long-term stability
- Process connection G1/4", 1/4NPT and others

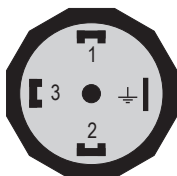
- 测量范围从 -0,1 ... 0 bar 到 -1 ... 0 ... +5 bar
- 输出信号: 4 ... 20 mA 或 0 ... 10 V
- 动态或静态测量
- 电气连接: L-Plug 插头, M12×1 插头或电缆输出
- 最佳长期稳定性
- 过程连接为 G1/4", 1/4NPT 或其他

Drawing / 尺寸图



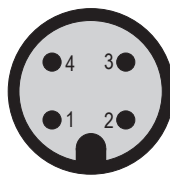
Wiring diagram / 接线图

L-Plug



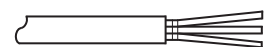
Pin / 针	4 ... 20 mA	0 ... 10 V
1	U _b +	U _b +
2	S+	0 V / S-
3	---	S+
⊥	---	---

M12 × 1



Pin / 针	4 ... 20 mA	0 ... 10 V
1	U _b +	U _b +
2	---	---
3	S+	0 V / S-
4	---	S+

Cable outlet / 电缆出线



Cable / 线缆	4 ... 20 mA	0 ... 10 V
red / 红	U _b +	U _b +
black / 黑	---	0 V / S-
yellow / 黄	S+	S+
white / 白	---	---

Technical Specification / 技术规范						
Pressure range 测量范围	-0,1 ... 0	-0,16 ... 0	-0,25 ... 0	-0,4 ... 0	-0,6 ... 0	[bar]
Overload limit 过载极限	≤ 0,3	≤ 0,6	≤ 1	≤ 2	≤ 2	[bar]
Pressure range 测量范围	-1 ... 0	-1 ... 0 ... +0,6	-1 ... 0 ... +1,5	-1 ... 0 ... +3	-1 ... 0 ... +5	[bar]
Overload limit 过载极限	≤ 2	≤ 4	≤ 6	≤ 12	≤ 12	[bar]
Measuring principle 测量原理	piezoresistive / 压阻					
Supply voltage 供电电压	8 ... 36					[V DC]
Output signal 输出信号	4 ... 20 mA, 2-wires or 0 ... 10 V, 3-wires 4 ... 20 mA, 2 线制或 0 ... 10 V, 3 线制					
Permitted load 允许载荷	4 ... 20 mA: ≤ (U _b -8V)/0.02A 0 ... 10 V: > 10KΩ					
Current consumption 电流消耗	4 ... 20 mA: ≤ 25 mA 0 ... 10 V: 8 mA					[mA]
Accuracy 精度	≤ ± 0.5、≤ ± 0.25					[%]
Repeat accuracy 重复精度	≤ ± 0.05					[% F.S.]
Compensated temperature range 补偿温度范围	0 ... 70					[°C]
Temperature error zero point 零点温度误差	≤ ± 0.03					[% F.S./K]
Temperature error range 量程温度误差	≤ ± 0.03					[% F.S./K]
Operating temperature 工作温度	-30 ... +100					[°C]
Storage temperature 储存温度	-40 ... +100					[°C]
Ambient temperature 环境温度	-25 ... +85					[°C]
Response time 响应时间	≤ 1					[ms]
Vibration resistance 抗振动性	10g (4 ... 500Hz) sinus acc. to DIN EN 60068-2-6 10g 符合 DIN EN 60068-2-6 在 4 .. 500 Hz					
Shock resistance 抗冲击性	100 g; 11 ms; DIN EN 60068-2-27 100g, 11 ms 符合 DIN EN 60068-2-27					
Housing 外壳材质	Stainless Steel 316L / 不锈钢 316L					
Wetted parts 接触部件	Stainless Steel 316L, Sealing material 不锈钢 316L, 密封材料					
Service life 使用寿命	> 100 million cycles / > 1 亿次循环					
Fitting thread 过程连接	G1/4", G1/2", 1/4NPT, 1/2NPT male thread (others on request) G1/4", G1/2", 1/4NPT, 1/2NPT 外螺纹 (其他按要求提供)					
Electrical connection 电气连接	L-Plug, M12×1 or cable outlet L-Plug 插头、M12×1 插头或电缆出线					
Reverse polarity and short circuit protection 反极性和短路保护	Yes / 带					
Protection degree 防护等级	IP65 using L-Plug / L-Plug 插头为 IP65 IP67 using M12×1 or cable outlet/ M12×1 插头或电缆出线为 IP67					

Specification key / 规格代码

8322 - [] - [] - [] - [] - [] - [] []

Measuring range / 测量范围	
11	-0,1 ... 0 bar
12	-0,16 ... 0 bar
13	-0,25 ... 0 bar
14	-0,4 ... 0 bar
15	-0,6 ... 0 bar
16	-1 ... 0 bar
22	-1 ... 0 ... +0,6 bar
23	-1 ... 0 ... +1,5 bar
24	-1 ... 0 ... +3 bar
25	-1 ... 0 ... +5 bar

Accuracy / 精度等级	
25	0,5%
22	0,25%

Output signal / 输出信号	
19	4 ... 20 mA
17	0 ... 10 V

Options / 选项	
W	without / 无
B	2 m
E	5 m
K	10 m

E-connection / 电气连接	
51	L-Plug EN 175301-803-A / L-Plug 插头
64	M12 ×1 / M12 ×1 插头
71	Cable outlet / 电缆出线

Pressure fitting / 过程连接	
22	G1/4" EN837
12	G1/4" DIN 3852-E
24	G1/2" EN837
14	G1/2" DIN 3852-E
32	1/4NPT
34	1/2NPT

O-ring / 密封圈材质		
N	NBR	-30 ... +80°C
F	FKM / FPM	-20 ... +125°C

Sample:

8322-15-25-19-N-24-51-W

Pressure Transmitter
 Type: 8322
 Measuring range: -0,6 ... 0 bar
 Accuracy: 0,5%
 Output signal: 4 ... 20 mA, 2-wires
 Power supply: 8 ... 36V DC
 Sealing: NBR
 Material of housing: stainless steel 316L
 Operating temperature: -30 ... +80°C
 Pressure fitting: G1/2" EN 827
 E-connection: L-Plug acc. to DIN EN 175301-803
 Protection type: IP65

举例:

8322-15-25-19-N-24-51-W

压力变送器
 型号: 8322
 测量范围: -0,6 ... 0 bar
 精度等级: 0,5%
 输出信号: 4 ... 20 mA, 2 线制
 供电电压: 8 ... 36V DC
 密封材质: NBR
 本体材质: 不锈钢 316L
 介质温度: -30 ... +80°C
 过程连接: G1/2" EN837
 电气连接: L-Plug 插头
 防护等级: IP65